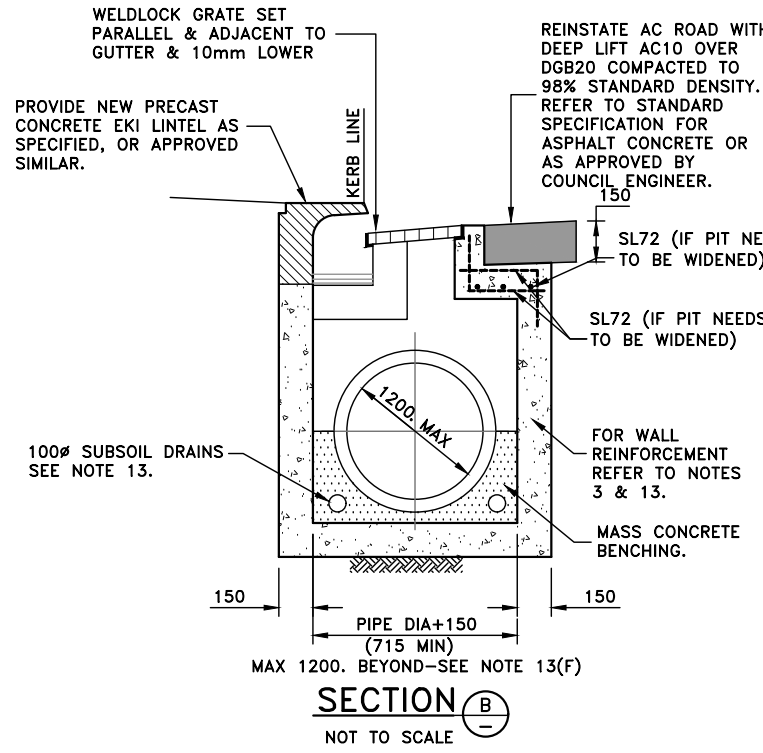
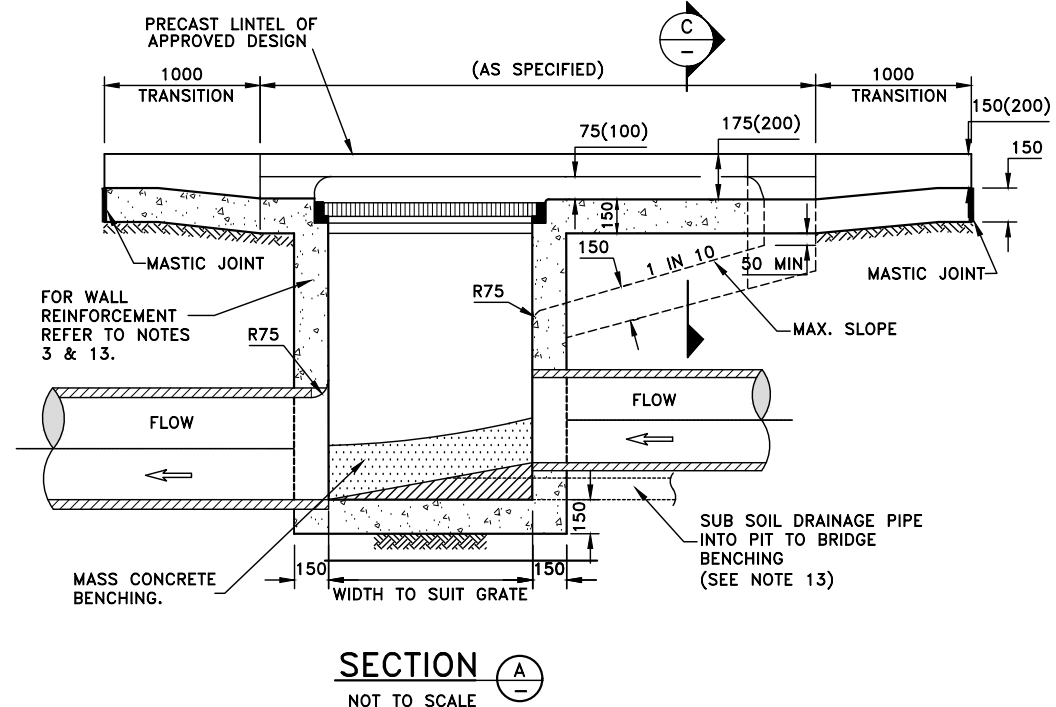


NOTE:
BONDEK SLAB (OR APPROVED SIMILAR) CAN BE USED IF APPROVED BY COUNCIL ENGINEER AND IN ACCORDANCE WITH THE MANUFACTURERS INSTRUCTIONS.



DRAINAGE NOTES 1:

- 1. CONCRETE STRENGTH**
 - A) KERB, KERB & GUTTER, FOOTPATH, CYCLEWAY, VEHICLE CROSSING, PRAM RAMP, EDGE STRIP: 25MPA @ 28 DAYS
 - B) DISH CROSSING, ROAD PLATFORM/HUMP, ROAD SLAB: 40MPA @ 28 DAYS
 - C) PIT: 25MPA @ 28 DAYS
 - D) FOR TRAFFICKED AREAS WHERE FACILITY MUST BE OPEN TO TRAFFIC WITHIN 12 HOURS (EG VEHICLE CROSSING, ROAD SLAB, DISH CROSSING, ROAD PLATFORM/HUMP: 40 MPA WITH ACCELERATOR SUCH AS 2% CACL (REFER TO SP40HC).
- 2. CONCRETE FINISH**
 - A) KERB, GUTTER, LAYBACK, DISH CROSSING, PIT (OUTER EXPOSED) - STEEL TROWEL
 - B) VEHICLE CROSSINGS, FOOTPATH, CYCLEWAY, ROAD SLABS, PRAM RAMP, ROAD HUMPS/RAMPS - BROOM/BRUSH.
 - C) PIT (INTERNAL): WOOD FLOAT.
 - D) ALL GAPS AND SPACES IN THE CONCRETE SHELL BE RENDERED SMOOTH. A.G. GAPS AROUND ALL PIPES, UNDER GRATES/LIDS AND LINTELS AND BETWEEN CONCRETE POURS.
- 3. REINFORCEMENT**
 - A) TO AS 4671
 - B) MINIMUM COVER: 50MM
- 4. EXCAVATION**
 - A) AT ALL JOINTS TO EXISTING CONCRETE/ASPHALT - THE JOINT SHALL BE SAW CUT BEFORE EXCAVATION.
 - B) ALL EXCAVATED MATERIAL SHALL BE REMOVED FROM THE SITE AND DISPOSED OF AT A LICENSED WASTE DISPOSAL FACILITY.
- 5. ROAD BASE**
 - A) COMPACTION: 95% STANDARD.
 - B) RECYCLED DGB SPECIFICATION: FOR SUPPLY OF RECYCLED MATERIAL FOR PAVEMENTS, EARTHWORKS, AND DRAINAGE REFER TO SPECIFICATION FOR SUPPLY OF RECYCLED MATERIAL FOR PAVEMENTS, EARTHWORKS AND DRAINAGE BY IPWEA (NSW) (LATEST EDITION).
- 6. RESTORATION OF ADJOINING ROAD PAVEMENT AND EXCAVATION BACKFILL**
 - A) SEE STANDARD PLAN D7.
- 7. UTILITIES, SERVICES & SURVEY MARKS**
 - A) ALL UNDERGROUND UTILITY SERVICES SHALL BE CHECKED FOR LEVEL AND LOCATION PRIOR TO COMMENCEMENT OF WORKS, BY THE CONTRACTOR.
 - B) ALL SERVICE COVERS AFFECTED BY THE WORKS SHALL BE ADJUSTED AS REQUIRED AND TO SUIT THE LEVELS OF THE NEW WORK. NO SERVICE FITTINGS SHALL BE COVERED.
 - C) PROPERTY STORMWATER PIPES: WHERE AFFECTED, SHALL BE REPLACED WITH 90MM UPVC OR TO SUIT EXISTING AND INVERT SHALL MATCH THE GUTTER LEVEL.
 - D) STATE SURVEY MARKS (SSM'S) - SHALL NOT BE DISTURBED UNLESS APPROVED BY THE COUNCIL ENGINEER.
 - E) AT ALL LIGHT/POWER POLES, THE CONCRETE SHALL BE ENDED 150MM CLEAR OF THE POLE AND THE GAP FILLED WITH 30MM OF 10MM COLDMIX/ASPHALTIC CONCRETE.
- 8. NATURE STRIP RESTORATION**
 - A) MATCH EXISTING TURF.
 - B) IF NEW TURF IS SPECIFIED - USE SOFT LEAF BUFFALO 'SHADEMASTER', LAID ON 100MM THICK PREPARED TOPSOIL, AS SPECIFIED BY THE COUNCIL ENGINEER.
- 9. EXISTING SIGNAGE**
 - A) SUCH SIGNAGE SHALL BE REINSTATED UNLESS THE COUNCIL ENGINEER ADVISES OTHERWISE.
 - B) SIGNS REPLACED OR NEW, WITHIN THE NEW CONCRETE SHALL BE INSTALLED WITH A V-LOK.
 - C) HERITAGE STREET NAME SIGNS EMBEDDED IN FOOTPATH PAVING AND KERBS - CAUTION SHALL BE EXERCISED TO NOT DAMAGE THESE SIGNS AND THE CONTRACTOR SHALL LIAISE WITH THE COUNCIL ENGINEER TO DETERMINE WHAT ACTION TO IMPLEMENT WHERE DISTURBANCE OF THE SIGN IS ESSENTIAL.
- 10. ASPHALTIC CONCRETE**
 - A) SHALL CONFORM TO RMS SPECIFICATION R116 - 'ASPHALT (DENSE AND OPEN GRADED)'.
- 11. RESIDENT NOTIFICATION**
 - A) ALL RESIDENTS AFFECTED BY THE WORKS SHALL BE NOTIFIED AT LEAST 2 WORKING DAYS BEFORE THE RELEVANT WORK COMMENCES AND ANY REASONABLE REQUESTS ACCOMMODATED.
- 12. SAFETY/SIGNAGE/ACCESS**
 - A) DURING CONSTRUCTION, ADEQUATE WARNING SIGNS AND BARRICADING SHALL BE PROVIDED TO ENSURE THAT THE WORK SITE MEETS THE REQUIREMENTS OF AS 1742.2 & 1743.3, AND TO PROVIDE ADEQUATE PROTECTION TO PEDESTRIANS & MOTORISTS.
 - B) ADEQUATE AND SAFE ACCESS FOR PEDESTRIANS SHALL BE PROVIDED AT ALL TIMES.
 - C) AT DRIVEWAYS - PREVENTION OF ACCESS SHALL BE KEPT TO AN ABSOLUTE MINIMUM AND ARRANGEMENTS SHALL BE MADE WITH THE RESIDENT/BUSINESS, BY THE CONTRACTOR, FOR A SUITABLE DAY/TIME FOR THIS WORK. USE OF HIGHER STRENGTH CONCRETE, WITH SHORTER CURING TIME MAY BE NECESSARY.
- 13. PIT DETAILS**
 - A) PROVIDE STEP IRONS WHERE PIT IS DEEPER THAN 1.0M - REFER TO STANDARD PLAN D6.
 - B) TOP OF BENCHING SHALL BE HALF OF OUTLET PIPE DIAMETER.
 - C) 100MM DIA CORRUGATED SUBSOIL PIPE, 3M LONG, WRAPPED IN FILTER FABRIC, SHALL BE PROVIDED AT THE INVERT LEVEL ON BOTH SIDES OF EVERY INLET PIPE.
 - D) WHERE POSSIBLE, LOCATE LINTELS CENTRALLY IN SAG POINTS.
 - E) APPROVED PRECAST CONCRETE PITS (PART OR TOTAL) MAY BE USED IN ACCORDANCE WITH THE MANUFACTURERS INSTRUCTIONS.
 - F) WHERE THE EXTENDED CHAMBER WIDTH EXCEEDS 1.2M, PIT REINFORCEMENT SHALL BE DESIGNED BY A PROFESSIONAL ENGINEER.
 - G) FOR PIT DEPTHS LESS THAN 1.5M, NO REINFORCEMENT IS REQUIRED. FOR PIT DEPTHS BETWEEN 1.5M AND 3.0M, PROVIDE SL72 AT 50MM COVER TO INSIDE FACE WALLS AND BASE. PROVIDE 400MM LAP AT CORNERS. FOR PIT DEPTHS GREATER THAN 3.0, DESIGN IS REQUIRED BY A PROFESSIONAL ENGINEER.
 - H) FOR JUNCTION AND SURCHARGE PITS, THE MINIMUM INTERNAL DIMENSIONS SHALL BE:
 - (i) DEPTH LESS THAN 1800MM - 900X900MM UNLESS OTHERWISE APPROVED BY COUNCIL.
 - (ii) DEPTH GREATER THAN 1800MM - REFER TO STANDARD PLAN D3.
- 14. STORMWATER PIT GRATES**
 - A) SHALL BE WELDLOK HINGED HOT DIPPED GALVANISED GG78-50 (OR APPROVED EQUIVALENT), SET PARALLEL TO GUTTER, AND WITH LOCKING CLIP. FOR INDUSTRIAL ROADS AND WHERE DIRECTED BY THE COUNCIL ENGINEER, USE WELDLOK HINGED HOT DIPPED GALVANISED GG78-42A (OR APPROVED EQUIVALENT).
 - B) THE GRATE WHEN OPEN SHALL CLEAR THE LINTEL/KERB.
- 15. DIMENSIONS**
 - A) ALL DIMENSIONS ARE IN MILLIMETERS UNLESS SHOWN OTHERWISE.
- 16. GENERAL**
 - A) ALL WORKS SHALL BE CARRIED OUT TO COUNCIL'S SPECIFICATION, TO BEST PRACTICE STANDARDS, AND TO THE SATISFACTION OF COUNCIL'S SUPERVISING ENGINEER.
 - B) THE WORK SITE SHALL BE KEPT IN A CLEAN, TIDY, AND SAFE CONDITION AT ALL TIMES AND TO THE SATISFACTION OF COUNCIL'S ENGINEER.
- 17. DOCUMENT PRIORITY**
 - A) THIS PLAN SUPERSEDES ANY STATEMENTS ON OTHER DOCUMENTS, EG SPECIFICATIONS, OTHER PLANS, ETC, UNLESS ADVISED BY THE COUNCIL ENGINEER.
- 18. INSPECTIONS**
 - INSPECTIONS BY THE COUNCIL SUPERVISING ENGINEER SHALL BE REQUIRED AT THE FOLLOWING STAGES AND AS OTHERWISE DIRECTED BY THE COUNCIL ENGINEER:-
 - A) EXCAVATION COMPLETED.
 - B) PITS FLOWED.
 - C) BASE AND WALLS OF PITS POURED.
 - D) LINTELS AND GRATES PLACES AND FORMWORK IN PLACE.
 - E) TOTALLY COMPLETED.

(ORIGINAL = A3 SHEET)

CHECKED & APPROVED	SURVEYED & DRAFTED	QUANTITIES	SERVICES AFFECTED	S.R.A. / SURV. GEN.	SERVICES	DATUM	FILE NO.	SHEET NO.
	DESIGNED PG/DJT MAY 2019			R.T.A. A.G.L. / SHELL PIPELINES SYDNEY WATER TELSTRA / OPTUS SYDNEY ELECTRICITY NOTICE OF ENTRY KERB & GUTTER NOTICES	TELECOM/OPTUS GAS SEWER WATER RAILWAY ELEC. CABLES OIL PIPELINES STORM WATER	A. H. D.		
APPROVED FOR CONSTRUCTION	DRAWN PG/DJT MAY 2019	INNER WEST COUNCIL		DATE		NTS	PLAN NO.	D1
						SCALES	VERSION	V1
						AMEND DATE DESCRIPTION APPROV.		
							INNER WEST COUNCIL	
							STANDARD DRAINAGE DRAWING - D1	
							GRATED GULLY PIT WITH EXTENDED EKI	